

# TRACE-HT RANGE

**FIRST**  
TRACE HEATING  
**DIRECT**

## Features

- Energy efficient, automatically varies its power output in response to pipe temperature changes.
- Easy to install, can be cut to any length (up to max circuit length) required on site with no wasted cable.
- Lower installed cost than steam tracing, less maintenance expense and less downtime.
- No overheat or burnout even when wrapped over itself (overlapped).
- Suitable for use in non-hazardous, hazardous and corrosive environments.

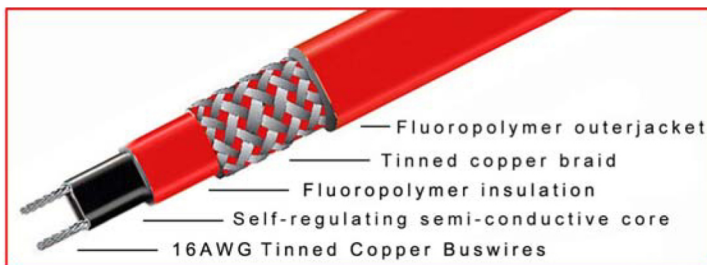
## Description

HT increasing or decreasing the heat output in a self-regulating way depending on the change of the ambient temperature, so a thermostat may not be necessary in some applications and it will never overheat or burnout even when wrapped over itself (overlapped). With optional outerjacket, the heating cable is resistant to watery and inorganic chemicals and protects against abrasion and impact damage. HT is suitable for use in explosion-hazardous areas up to a maximum admissible work-piece temperature of +150°C.

HT is a self-regulating parallel heating cable. It is suitable for use in hazardous and non-hazardous locations, including areas where corrosives may be present.

## Appliance

HT is an industrial grade, self-regulating parallel heating cable (heating tape) to BS6351 Grade 22 that can be used for applications ranging from process heating or maintenance of temperature up to 150°C. It can be used in hazardous and non-hazardous locations, including areas where corrosives may be present.



## Options

- HT ...C Tinned copper braid provides additional mechanical protection and a positive ground path.
- HT ...CT High Temperature Fluoropolymer overjacket is used for exposure to organic or corrosive solutions or vapours that may be present.

## Technical data

|   |                     |
|---|---------------------|
| Service voltage   | 110-120V, 220-277V  |
| Maximum maintain or continuous exposure temperature (power on)          | +120°C (248°F)      |
| Maximum intermittent exposure Temperature, 1000 hours (power on or off) | +200°C (392°F)      |
| Minimum installation temperature  | -30°C (-22°F)       |
| Protective braid resistance   | < 18.2Ω/km          |
| Bus wire gauge  | 16AWG               |
| Approvals   | LCIE 11 ATEX 3095 U |



**First Trace Heating Direct Limited**  
Chain Caul Road, Riversway, Preston

PR2 2PD

[Sales@first-traceheating.co.uk](mailto:Sales@first-traceheating.co.uk)

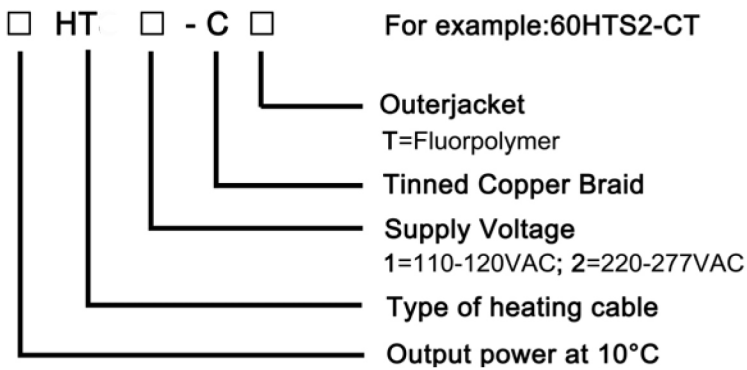
Tel: 01772 761333

# TRACE-HT RANGE

## Dimension and weight

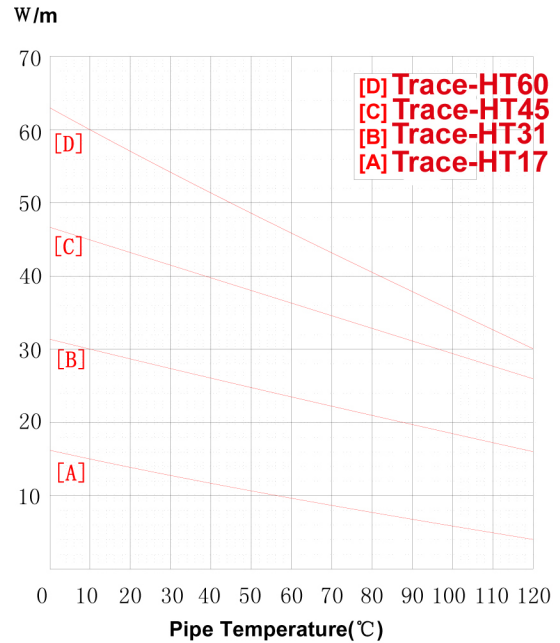
| Type      | Dimension  | Min.bending radius | Weight (kg/100m) |
|-----------|------------|--------------------|------------------|
| -HT ...C  | 9.2×3.6mm  | 21mm               | 11.2             |
| -HT ...CT | 10.2×4.6mm | 27mm               | 14.0             |

## Product ordering information



## Power output curves

Nominal power output at 230V when HT installed on insulated metal pipes.



## Maximum length(m) vs circuit breaker size

| Minimum Start-up temperature | CB size<br>Amps | Trace-HT 17<br>230V |     | Trace-HT 31<br>230V |     | Trace-HT 45<br>230V |     | Trace-HT 60<br>230V |     |
|------------------------------|-----------------|---------------------|-----|---------------------|-----|---------------------|-----|---------------------|-----|
|                              |                 | ft                  | m   | ft                  | m   | ft                  | m   | ft                  | m   |
| 10°C (50°F)                  | 10              | 240                 | 73  | 146                 | 45  | 100                 | 31  | 77                  | 23  |
|                              | 16              | 360                 | 109 | 236                 | 72  | 150                 | 46  | 115                 | 35  |
|                              | 20              | 479                 | 146 | 295                 | 89  | 200                 | 61  | 150                 | 46  |
|                              | 30              | 518                 | 158 | 440                 | 134 | 285                 | 87  | 230                 | 70  |
|                              | 40              | 531                 | 162 | 510                 | 155 | 380                 | 116 | 306                 | 93  |
| 0°C (32°F)                   | 10              | 220                 | 67  | 138                 | 42  | 93                  | 28  | 70                  | 21  |
|                              | 16              | 350                 | 106 | 220                 | 67  | 130                 | 39  | 110                 | 34  |
|                              | 20              | 430                 | 130 | 280                 | 85  | 180                 | 55  | 142                 | 43  |
|                              | 30              | 490                 | 150 | 400                 | 122 | 270                 | 82  | 210                 | 64  |
|                              | 40              | 510                 | 155 | 480                 | 146 | 350                 | 107 | 286                 | 87  |
| -20°C (-4°F)                 | 10              | 210                 | 64  | 130                 | 39  | 83                  | 25  | 67                  | 20  |
|                              | 16              | 315                 | 96  | 195                 | 59  | 125                 | 38  | 100                 | 30  |
|                              | 20              | 380                 | 115 | 260                 | 79  | 165                 | 50  | 135                 | 41  |
|                              | 30              | 480                 | 146 | 364                 | 111 | 250                 | 76  | 200                 | 122 |
|                              | 40              | 500                 | 152 | 440                 | 134 | 335                 | 110 | 265                 | 81  |
| -40°C (-40°F)                | 10              | 180                 | 54  | 116                 | 35  | 80                  | 24  | 63                  | 19  |
|                              | 16              | 285                 | 87  | 175                 | 53  | 120                 | 36  | 95                  | 29  |
|                              | 20              | 360                 | 38  | 235                 | 72  | 160                 | 49  | 125                 | 38  |
|                              | 30              | 450                 | 108 | 350                 | 107 | 240                 | 73  | 190                 | 58  |
|                              | 40              | 480                 | 146 | 460                 | 140 | 320                 | 97  | 250                 | 76  |

**First Trace Heating Direct Limited**  
Chain Caul Road, Riversway, Preston

PR2 2PD  
Sales@first-traceheating.co.uk

Tel: 01772 761333