

GUTTER FROST PROTECTION

Our gutter heating parallel circuit self regulating heating cables are inherently temperature safe and can be cut and terminated on site to suit the required application. The gutter heating can be fixed using stainless steel gutter clips or if lead gutters welded clips are provided. It is recommended that these should be fixed at a max of every 1mtr

Only when you have gutters over 600mm will you require multiple gutter heating cables.

The Cables come as a standard 230V however 110V are available, All cables are manufactured to meet BS6351 Grade 2.2 and are both VDE and UL approved.



For more information contact:
01772 761 333
sales@first-traceheating.co.uk

WWW.FIRST-TRACEHEATING.CO.UK

FIRST
TRACE HEATING
DIRECT

Gutter Frost Protection

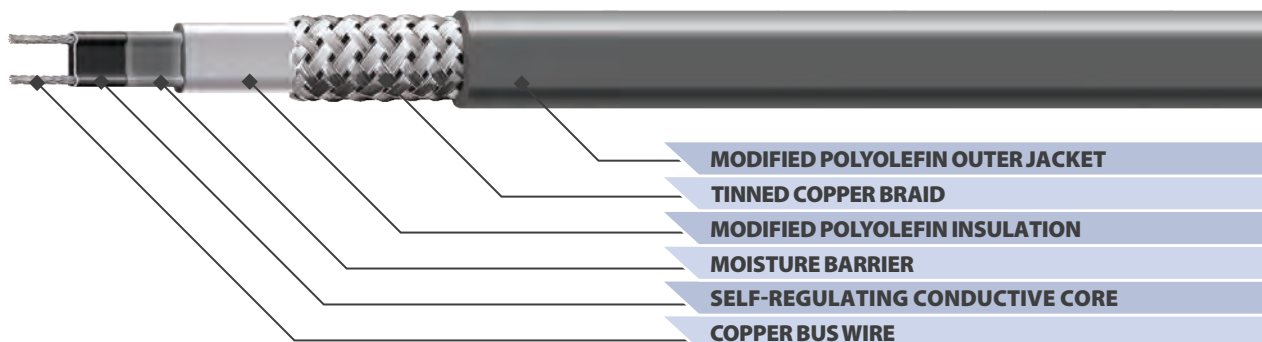
FIRST
TRACE HEATING
DIRECT

T 01772 761333

F 01772 761222

E sales@first-traceheating.co.uk

Product Guide



Specification

Product	Trace20J
Watts per Mtr	24W/mtr @ 5°C
Max Circuits	100mtrs @ 20A
Breaker	Type C
Max Distance between runs	12" - 300mm
Minimum Installation temp	-40°C

Notes

If gutter heating cables are less than 3 meters then double tracing the pipe can be quicker for installation and material cost by not using terminations or junction boxes

Insulation displacement connectors can be used with the gutter heating cable

Always add a meter of heating cable per installation

Accessories

Gutter Clips	Every 1000mm max
Thermostat	SA1 (<i>Air sensing</i>)
Termination Kit	TracekitJ
Bracket for Thermostat	BracketStat (<i>optional</i>)

WWW.FIRST-TRACEHEATING.CO.UK